



Special Features

- Cost effective
- Sleek design
- Dry & fillable version
- Standard followed in general EN 837-1
- Two piece construction (Case is assembled with socket and adaptor)

Application

- Suitable for clean air & gaseous or liquid media that will not obstruct the pressure system
- HVAC

Specifications

Standard Version : 100 mm (Internal system i.e., bourdon tube and Movement of NS 63 mm.)

Accuracy	:	±1.6% of F. S.
Ambient temperature	:	- 20°C to + 65°C
Process temperature	:	Max. 180°C
Operating pressure range	:	75% of Scale Value
Over pressure limit	:	≤ 100 bar : 125% of Max. Scale Value
	:	> 100 to ≤ 600 bar : 115% of Max. Scale Value

Case & Bezel	:	AISI 304 SS (Bayonet Type)
Bourdon	:	AISI 316L SS
Socket	:	AISI 316 SS
Movement	:	AISI 304 SS
Joints	:	TIG Welding

Protection	:	IP 65
Dial	:	Aluminum, black graduation on white background
Pointer	:	Aluminum, black coloured, slotted Zero adjustable
Window	:	Sheet Glass
Filling Plug	:	Nitrile
Gasket	:	Neoprene for Bayonet type & Silicon rubber for rolling type

Dry but fillable version (option FG)

Fillable Dampening Liquid	:	Glycerine 99.7% (Option - FG)
Process Temperature	:	Maximum 65°C
Window	:	Plexi Glass
Other Features	:	Refer Specification of Standard Version

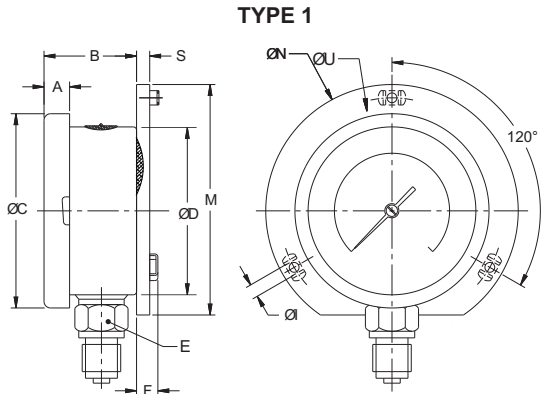
Glycerine filled version (option PY)

Accuracy	:	±1.6% of F. S.
Ambient Temperature	:	Maximum 65°C
Process Temperature	:	Maximum 65°C
Window	:	Plexi Glass
Dampening Liquids	:	Glycerine 99.7% (others available as option)
Other Features	:	Refer Specification of Standard Version

Temperature effect:

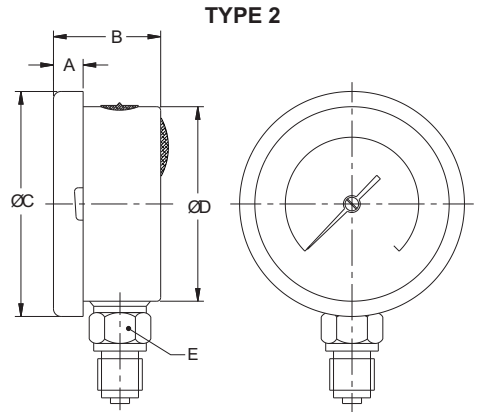
The variation of indication caused by effects of temperature is to be calculated by below formula; which is to be added in the specified accuracy while measurement :- Formula : $\pm 0.04 \times (t_2 - t_1) \% \text{ of F. S.}$ where t_1 = reference temperature (+20°C) and t_2 = ambient temperature in °C.

Dimensions - standard version



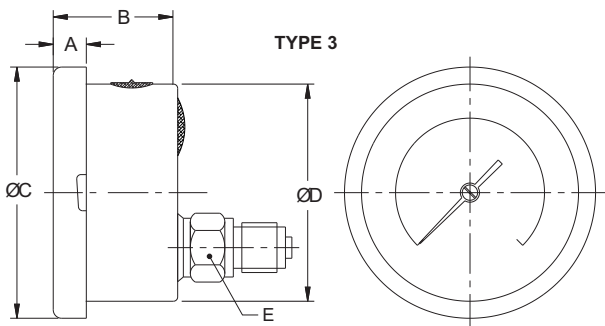
BAYONET TYPE (STANDARD)

NS	A	B	ØD	ØC	E	M	S	F	ØI	ØN	ØU	Weight in gram (With Box)
100	12.5	39	100	110	A/F 17	128	6	14.5	6	134	118	530.0



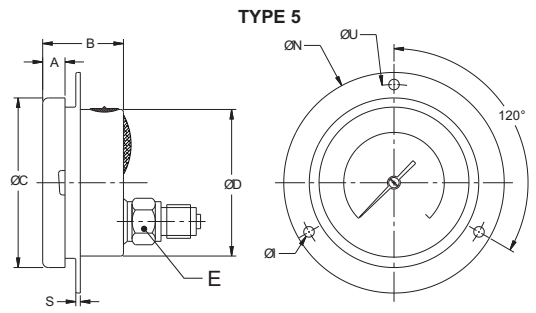
BAYONET TYPE (STANDARD)

NS	A	B	ØD	ØC	E	Weight in gram (With Box)
100	12.5	39	100	110	A/F 17	420.0



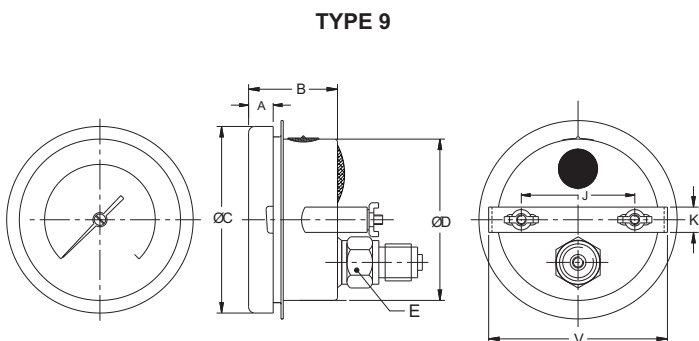
BAYONET TYPE (STANDARD)

NS	A	B	ØD	ØC	E	Weight in gram (With Box)
100	12.5	39	100	110	A/F 17	440.0



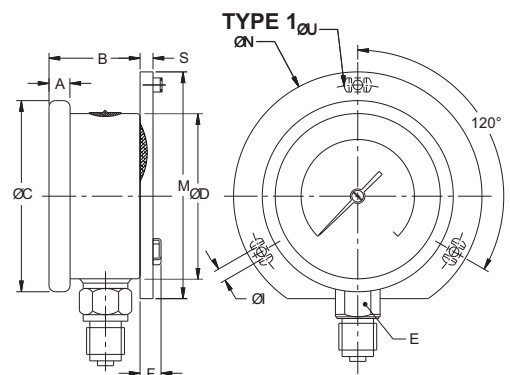
BAYONET TYPE (STANDARD)

NS	A	B	ØD	ØC	E	S	F	ØI	ØN	ØU	Weight in gram (With Box)
100	12.5	39	100	110	A/F 17	6	14.5	6	134	118	510.0



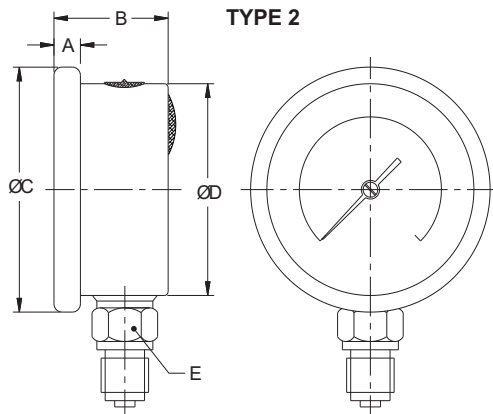
BAYONET TYPE (STANDARD)

NS	A	B	ØD	ØC	E	J	K	V	Weight in gram (With Box)
100	12.5	39	100	110	A/F 17	66.5	16	106	550.0

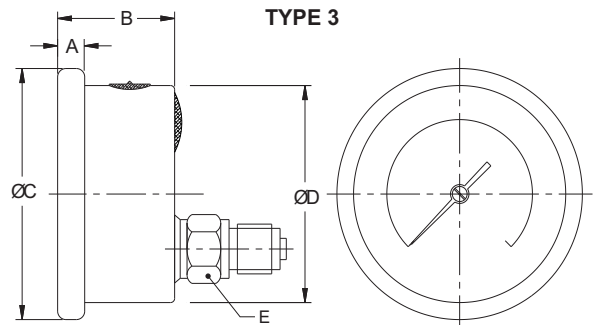


ROLLING TYPE (OPTION)

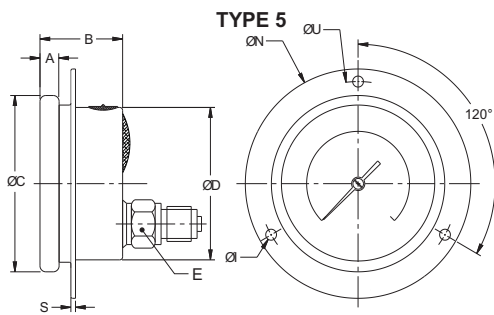
NS	A	B	ØD	ØC	E	S	F	ØI	ØN	ØU	Weight in gram (With Box)
100	12.5	39	100	110	A/F 17	6	14.5	6	134	118	495.0

Dimensions - standard version

TYPE 2
ROLLING TYPE (OPTION)

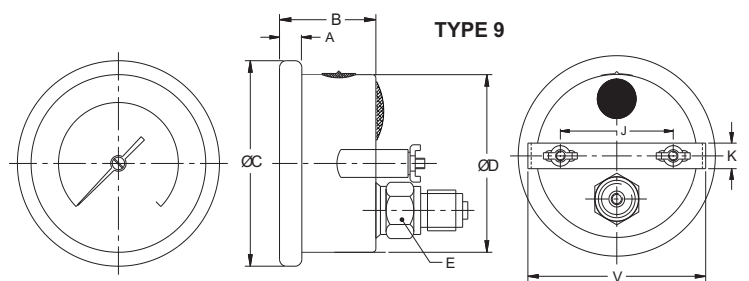
NS	A	B	ØD	ØC	E	Weight in gram (With Box)
100	7	35.5	100	110	A/F 17	405.0


TYPE 3
ROLLING TYPE (OPTION)

NS	A	B	ØD	ØC	E	Weight in gram (With Box)
100	7	35.5	100	110	A/F 17	410.0


TYPE 5
ROLLING TYPE (OPTION)

NS	A	B	ØD	ØC	E	S	ØI	ØN	ØU	Weight in gram (With Box)
100	7	35.5	100	110	A/F 17	1	6	134	118	490.0


TYPE 9
ROLLING TYPE (OPTION)

NS	A	B	ØD	ØC	E	J	K	V	Weight in gram (With Box)
100	7	35.5	100	110	A/F 17	66.5	16	106	500.0

Range Table

Note : We offer Pressure, Vacuum and Compound ranges in Scales like kPa, MPa, bar, psi, kg/cm² & Dual Scale like kPa with psi, kPa with bar, bar with psi or scales as per the requirement can be provided on request. Following are the example tables for kg/cm² & psi scales

Pressure Range
Single scale with kg/cm²

0/1	0/4	0/16	0/60	0/250
0/1.6	0/6	0/25	0/100	0/400
0/2.5	0/10	0/40	0/160	

Dual scale (psi with kg/cm²)

psi	kg/cm ²	psi	kg/cm ²	psi	kg/cm ²
0/15	1	0/300	20	0/2200	160
0/30	2	0/400	28	0/3000	200
0/60	4	0/500	35	0/4000	280
0/100	7	0/600	40	0/5000	350
0/150	10	0/1000	70	0/6000	400
0/220	16	0/1500	100		

Range Table
Vacuum & Compound Range
Dual scale

inHg with psi	mmHg with kg/cm ²	inHg with psi	mmHg with kg/cm ²	inHg with psi	mmHg with kg/cm ²
- 30/0	- 760 / 0	- 30/60	- 760 / 3	- 30/200	- 760 /15
- 30/15	- 760 / 1	- 30/100	- 760 / 6	- 30/300	- 760 / 20
- 30/30	- 760 / 2	- 30/150	- 760 /9	- 30/350	- 760 / 24

Single scale kg/cm²

- 1/0	- 1/1.5	- 1/5	- 1/15
- 1/0.6	- 1/3	- 1/9	- 1/24

Ammonia scales (with temperature scale)

Range (kg/cm ²)	Range (psi)
-1 to 12.5	-30 - 150
-1 to 16	-30 - 300
-1 to 25	0 - 300

Accessories (Refer Datasheet for complete specifications)

EB Cooling tower	ED Over load protector (gauge saver)**	EG Snubber
EC Gauge cock	* Needle valve	EH Siphon

* Refer catalogue for Valves & Manifolds

** For Pressure Ranges.

How To Order
Example
Basic Model

AV

Code
Nominal Size
F

100 mm

X

Type of Mounting

1 Wall / surface / projection mounting with bottom entry	5 Flush panel back entry with front flange
2 Direct bottom entry	9 Back entry with mounting bracket
3 Direct lower back entry	

X

Gauge Connection

2BM 1/4" BSP (M)*	2NM 1/4" NPT (M)*	2TM 1/4" BSPT (M)*
3BM 3/8" BSP (M)(Standard)	3NM 3/8" NPT (M)*	3TM 3/8" BSPT (M)*
4BM 1/2" BSP (M)(Standard)	4NM 1/2" NPT (M)(Standard)	4TM 1/2" BSPT (M)*

XXX

* Consult factory for minimum order quantity, price & delivery.

Note : Connections like Metric/ PT/ PF/ Flaired/ UNF/ G/ R etc can be provided on request.
Range

Refer range table

 0/10
kg/cm²
Options

PY Dampening liquid glycerine filled	FG Fillable liquid glycerine
PW Five point calibration certificate	ZD Ammonia range (with temperature scale)
RH Custom designed dial	SQ Case with rolling type bezel
SG Oxygen service (for dry version)	QB Integral dampening screw (AISI 316 SS)
SX SS tag plate	RW Plexi glass

XX

Ordering Example: AV . X . X . XX . XXX . 0/10kg/cm². XX

For other optional items, please contact factory for delivery and minimum quantity of order.

 Note : specifications and dimensions given in this product catalogue represents the state of engineering at the time of printing.
 Modifications may take place and materials specified may be replaced by others without prior notice.